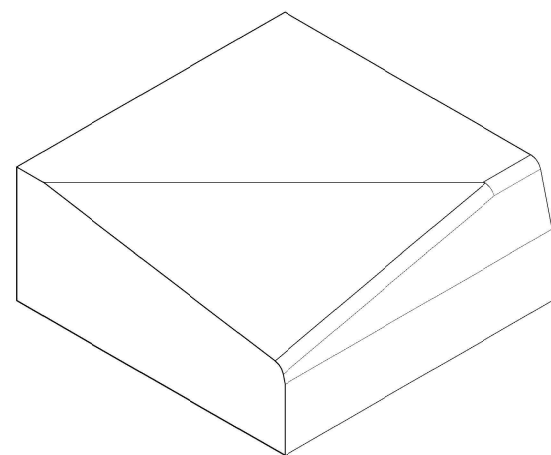
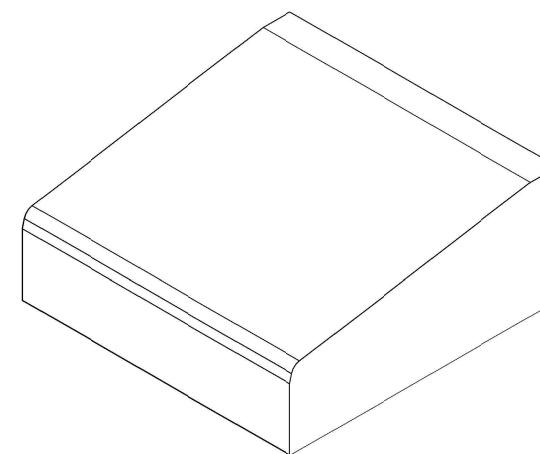


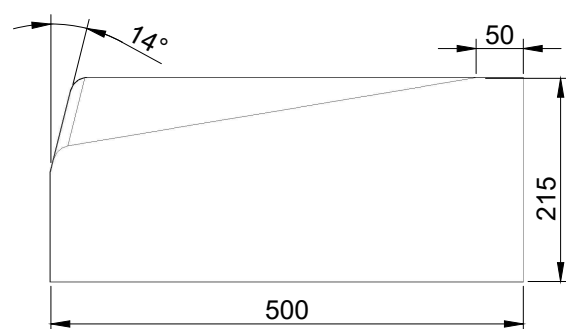
Isometric View (LH unit)



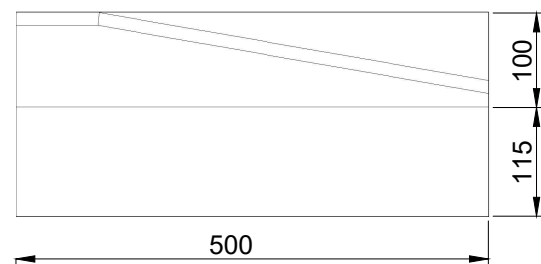
Isometric View (RH unit)



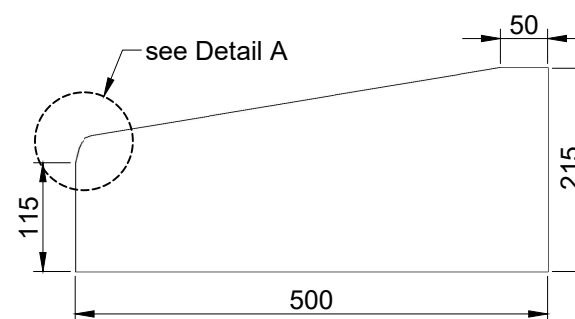
Isometric View



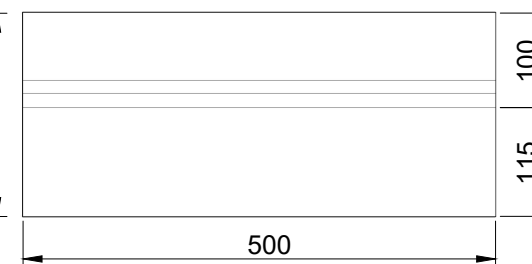
End Elevation (LH unit)



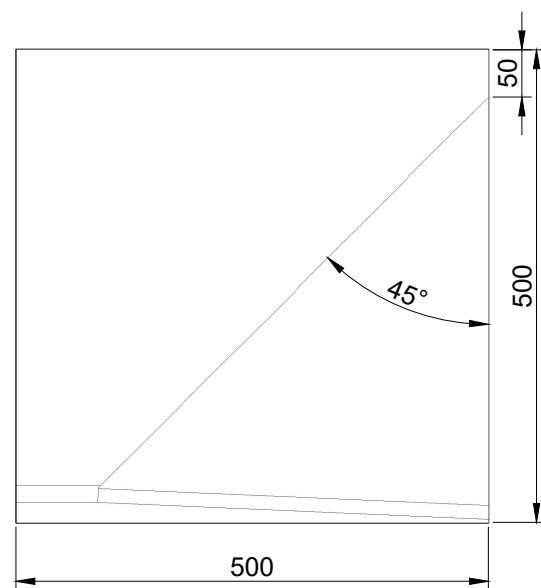
Front Elevation (LH unit)



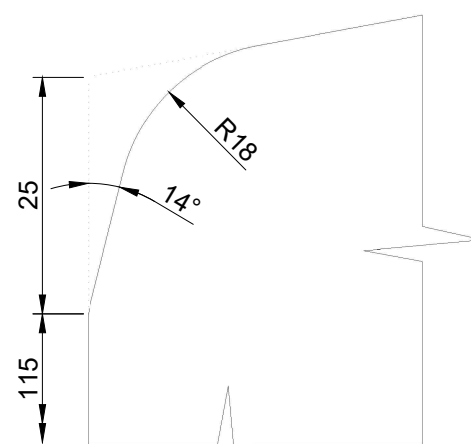
End Elevation



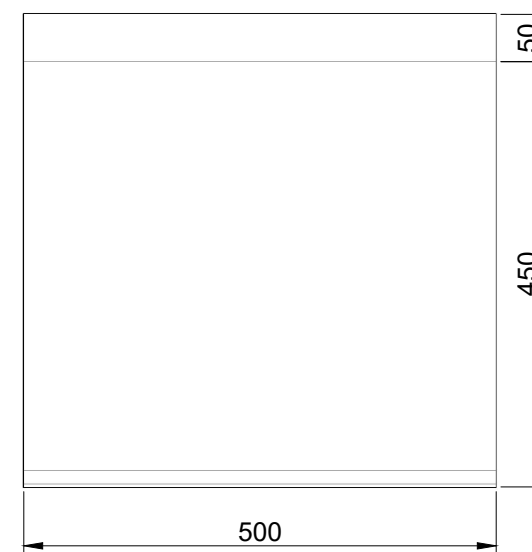
Front Elevation



Plan (LH unit)



Detail A



Plan

HB2-TO-RAMP TRANSITION UNIT

DRIVEWAY RAMP UNIT

- NOTES:
1. All dimensions in millimetres.
  2. All units shall be hydraulically pressed and comply with relevant sections of BS EN 1340:2003.

Rev	Amendment	Date

Standard Details

KERBS, FOOTWAYS AND PAVED AREAS

Scale: Not to scale

Date: October 2021



FOOTWAY CROSSING  
(LIGHT VEHICLE ACCESS - TYPE A UNITS)

Drawing Number:  
SD 11/02